

Service Box SB75BS Access Floor Opening Type

SB75 floor box integrates power, voice and data in a modularized and easy installation, including poly-carbonate mounting lid with steel base tray, for finish floor height of 75 mm, for 3 compartments.

**The System**

Overall Dimension: 250 mm X 220 mm

Height: 75 mm (access floor minimum finish height)

Mounting lid: poly-carbonate lid, reinforced with 3mm galvanized steel at middle which recess 6.5 mm for topping.

Cable Exiting Flap Dimension: 30 mm X 70 mm

Box Base Tray Dimension: 230 mm X 200 mm

Box Knockouts Dimension for Each Side : 2 X 20 mm (3/4") and 2 X 26 mm (1")

Compartment Plate

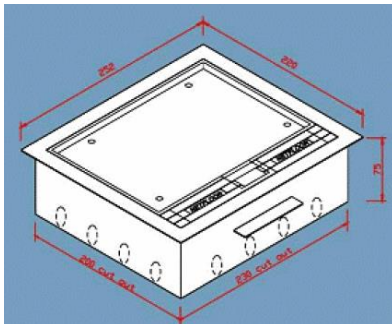
Power Socket:

- a. 1 X twin switched BS power socket plate. 13A, 240 V
- b. 2 X twin switched BS power socket plate. 13A, 240 V

Data Socket:

- a. 2 hole snap-in bracket plate
- b. 6 hole snap-in bracket plate
- c. Twin data 86 steel plate

** Combination style and accessories per requirement



** access panel cut out: 232 mm X 202 mm

** carpet tile cut size for topping floor box: 210 mm X 146 mm

